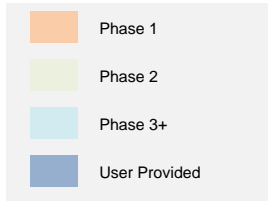


PolyMon 2.x Architecture



Additional Monitor Modules

- Web Site Link Checker
- CPU Multi-Instance
- POP/SMTP
- Provide basic PowerShell based monitors (Ping, Service, Disk, WMI, etc)

PolyMon Manager

- Manages native agent-less monitoring
- Operators & Security

Collection Mechanisms

External Collection Mechanisms

- Applications
- Web Sites
- Non Windows

PowerShell Scripts

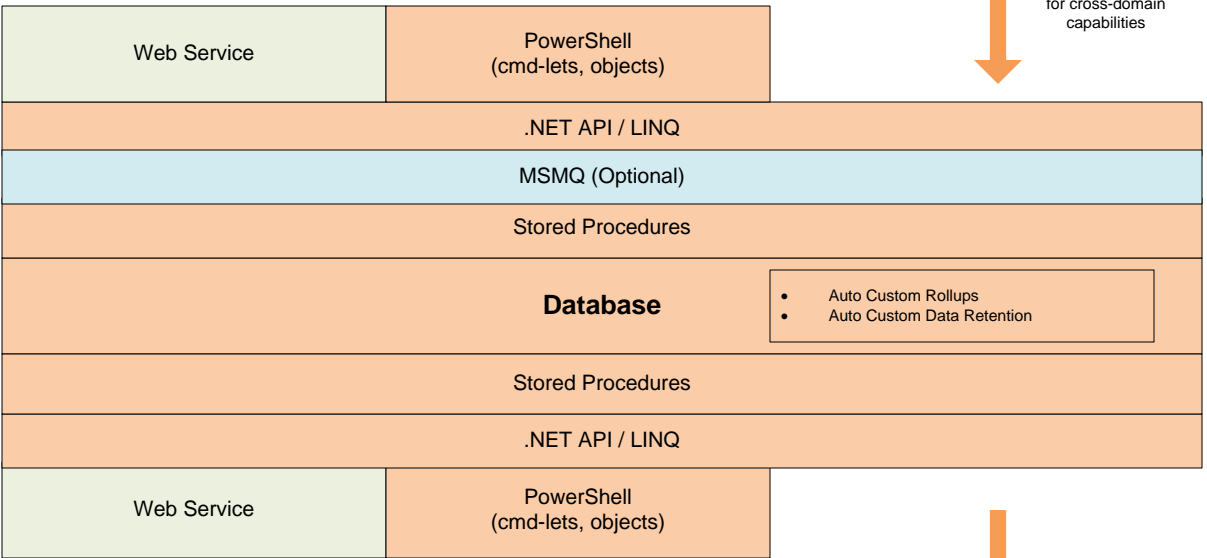
Windows Services

- Managed by PolyMon Manager
- Full Scheduler & Operator Calendars
- Agentless
- Multiple Distributed Services
- Post-Event PowerShell Scripting providing full control of PolyMon system

MSMQ (Optional)

Allow Direct API or Web Service communication option for cross-domain capabilities

Data Storage



Display / Reporting Mechanisms

Google Gadgets

Vista Gadgets

Web/WAP Interface

iPhone

Windows Mobile

IIS HTTP Module

- Page Load Time
- Page Load Errors

PowerShell Objects

PolyMon Dashboard

- PolyMon RT style
- Windows Application
- Integrate non-logged real time monitoring

Alerting

- Windows Service
- Email (??? SMS, Twitter, Blog)
- Exec PowerShell Scripts
- Escalation Mechanisms

Heartbeat

- Windows Service
- Email (??? SMS, Twitter)
- Exec PowerShell Scripts